

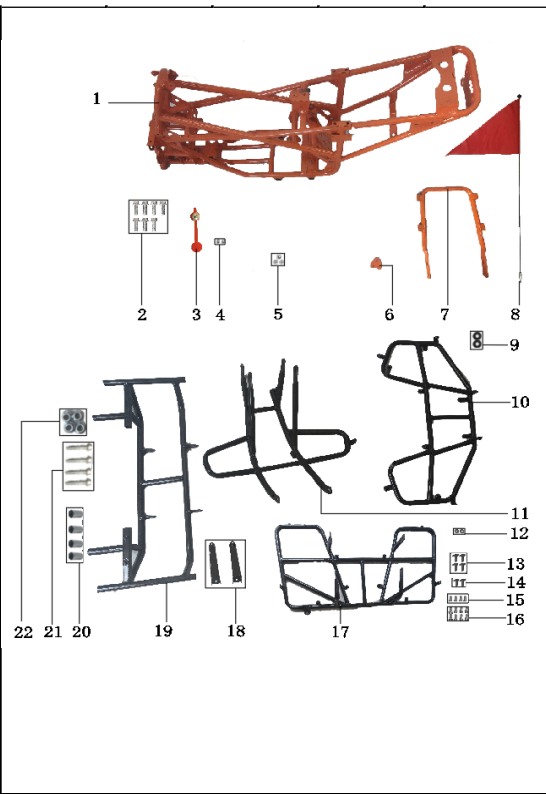
SY150

	Parts No.	Description	Qty per Vehicle
	SY150-A-1	RUBBER O-RING	2
	SY150-A-2	OIL COOLER T-SLEEVE	4
	SY150-A-3	HEXAGON HEAD FLANGE BOLTS GB5789	2
	SY150-A-4	FUEL PIPE BUCKLE	5
	SY150-A-5	FUEL PIPE BUCKLE	1
	SY150-A-6	FUEL FILTER/SSR	1
	SY150-A-7	SEAT ASSEMBLY/UT13	1
	SY150-A-8	OIL PIPE SPRING	2
	SY150-A-9	OIL PIPE	3
	SY150-A-10	FLAT PAD GB97.1-85	1
	SY150-A-11	FLAT PAD GB97.1-85	2
	SY150-A-12	OIL TANK ASSEMBLY/UT13	1
	SY150-A-13	MACHINE SCREW CARD	2
	SY150-A-14	EXTERNAL HEXAGON SMALL HEAD FLANGE BOLTS GB5787	1
	SY150-A-15	EXTERNAL HEXAGON BIG HEAD FLANGE BOLTS GB5789	1
	SY150-A-16	INNER HEXAGON SOCKET HEAD SCREW GB70-85	1
	SY150-A-17	OIL TANK SWITCH	1
	SY150-A-18	RUBBER OIL COOLER HOSE XSX	1
	SY150-A-19	SY OIL COOLER	1

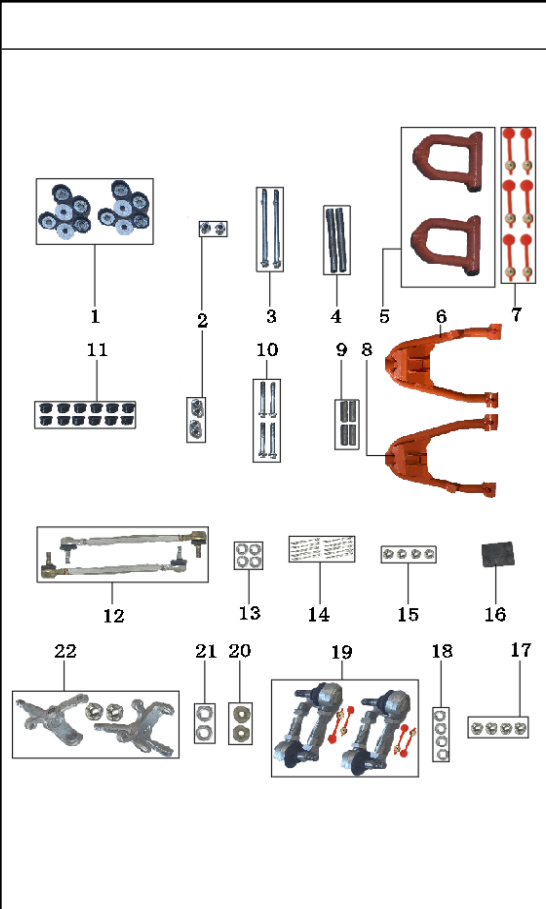
	Parts No.	Description	Qty per Vehicle
	SY150-B-1	SPRING WASHER	2
	SY150-B-2	FLAT PAD GB97.1-85	2
	SY150-B-3	JK CARB	1
	SY150-B-4	PLASTIC AIR FILTER ASSEMBLY	1
	SY150-B-5	MUFFLER	1
	SY150-B-6	CARB BOLTS	2
	SY150-B-7	HEXAGON FLANGE TOOTHED NUT GB6177-86	2
	SY150-B-8	EXTERNAL HEXAGON SMALL HEAD FLANGE BOLTS GB5787	2
	SY150-B-9	EXTERNAL HEXAGON SMALL HEAD FLANGE BOLTS GB5787	1
	SY150-B-10	MUFFLER COPPER RING	1
	SY152-B-11	GEAR SHIFT LEVER	1
	SY150-B-12	EXTERNAL HEXAGON SMALL HEAD FLANGE BOLTS GB5787	1
	SY150-B-13	HEXAGON FLANGE SELF-LOCKING NUTS-GB6187-86	4
	SY150-B-14	ENGINE	1
	SY150-B-15	FLAT BUSHING	2
	SY150-B-16	FLAT PAD GB97.1-85	1
	SY150-B-17	HEXAGON CAP NUTS GB923	3

	Parts No.	Description	Qty per Vehicle
	SY150-C-1	CLIP/UT13	1
	SY150-C-2	EXTERNAL HEXAGON SMALL HEAD FLANGE BOLTS GB5787	2
	SY150-C-3	FLAT BUSHING	2
	SY150-C-4	STEERING COLUMN FIXED CLAMP	2
	SY150-C-5	HEXAGON FLANGE SELF-LOCKING NUTS-GB6187-86	2
	SY150-C-6	HEXAGON FLANGE SELF-LOCKING NUTS	2
	SY150-C-7	INNER HEXAGON SOCKET HEAD SCREW GB70-85	4
	SY150-C-8	INNER HEXAGON SOCKET HEAD SCREW GB70-85	2
	SY150-C-9	UT13 UPPER PRESSURE BLOCK	2
	SY150-C-10	UR13 LOWER PRESSURE BLOCK	2
	SY150-C-11	FRAME PLUG	1
	SY150-C-12	STEERING COLUMN/UT13	1
	SY150-C-13	SPLIT PIN	1
	SY150-C-14	FLAT PAD GB97.1-85	1
	SY150-C-15	SLOTTED NUT	1

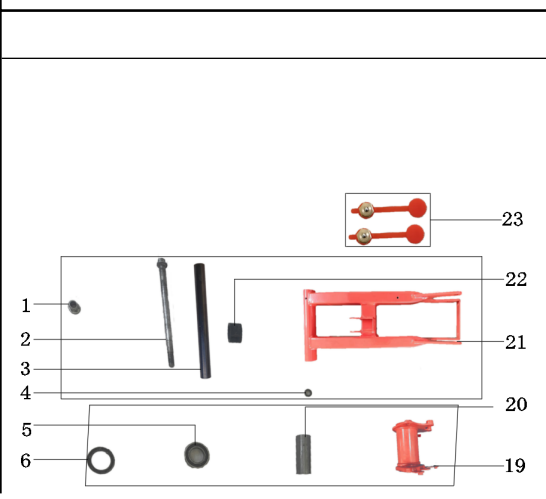
	Parts No.	Description	Qty per Vehicle
--	-----------	-------------	-----------------



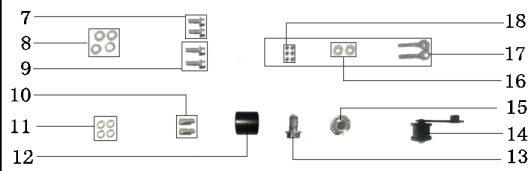
SY150-D-1	FRAME ASSEMBLY/UT13	1
SY150-D-2	EXTERNAL HEXAGON SMALL HEAD FLANGE BOLTS GB5787	7
SY150-D-3	BUTTER TIP CAP	1
	BUTTER TIP	1
SY150-D-4	FLAT PAD GB97.1-85	2
SY150-D-5	FLAT PAD GB97.1-85	3
SY150-D-6	ENGINE HANGER/UT13	1
SY150-D-7	REAR TAIL BRACKETT/UT13	1
SY150-D-8	FLAGPOLE	1
SY150-D-9	EXTERNAL HEXAGON SMALL HEAD FLANGE BOLTS	1
SY150-D-10	FRONT BRACKET/UT13	1
SY150-D-11	FRONT BUMPER BRACKET/UT13	1
SY150-D-12	FLAT PAD GB97.1-85	2
SY150-D-13	INNER HEXAGON BIG PAN HEAD BOLT	4
SY150-D-14	INNER HEXAGON BIG PAN HEAD BOLT	2
SY150-D-15	EXTERNAL HEXAGON SMALL HEAD FLANGE BOLTS	4
SY150-D-16	EXTERNAL HEXAGON SMALL HEAD FLANGE BOLTS	6
SY150-D-17	REAR BRACKET/UT13	1
SY150-D-18	PLASTIC KIT BRACKET/UT13	2
SY150-D-19	PEDAL BRACKET/UT13	1
SY150-D-20	BUFFER SLEEVE/UT13	4
SY150-D-21	EXTERNAL HEXAGON SMALL HEAD FLANGE BOLTS	4
SY150-D-22	HEXAGON FLANGE SELF-LOCKING NUTS	4



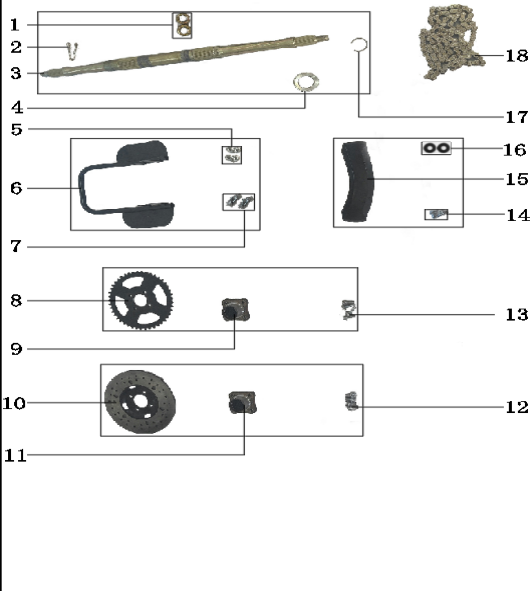
Parts No.	Description	Qty per Vehicle
SY150-E-1	DUST CAP	12
SY150-E-2	HEXAGON FLANGE SELF-LOCKING NUTS GB6187-86	6
SY150-E-3	EXTERNAL HEXAGON SMALL HEAD FLANGE BOLTS GB5787	2
SY150-E-4	UPPER ROCKER ARM LINED PIPE	2
SY150-E-5	M22 UPPER ROCKER ARM LEFT	2
SY150-E-6	M22 LOWER ROCKER ARM RIGHT	1
SY150-E-7	BUTTER TIP	6
	BUTTER TIP CAP	6
SY150-E-8	M22 LOWER ROCKER ARM LEFT	1
SY150-E-9	FLAT BUSHING	4
SY150-E-10	EXTERNAL HEXAGON SMALL HEAD FLANGE BOLTS GB5787	4
SY150-E-11	ROCKER ARM STEP SLEEVE	12
SY150-E-12	STEERING SHIFT/UT13	2
SY150-E-13	SPRING WASHER	4
SY150-E-14	SPLIT PIN	10
SY150-E-15	SLOTTED NUT	4
SY150-E-16	OIL TANK RUBBER PAD	2
SY150-E-17	SLOTTED NUT	4
SY150-E-18	SPRING WASHER	4
SY150-E-19	ROCKER ARM ADJUSTABLE BALL HEAD/UT13	4
SY150-E-20	SPRING WASHER	2
SY150-E-21	FLAT PAD GB97.1-85	2
SY150-E-22	LEFT KNUCKLE/UT13, RIGHT KNUCKLE/UT13	2



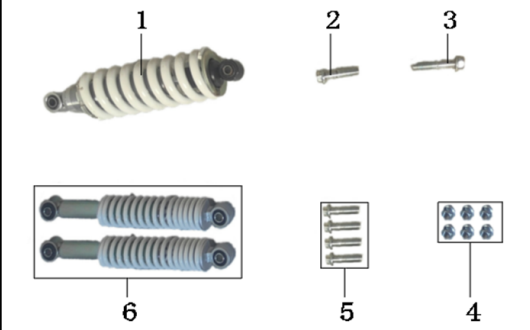
Parts No.	Description	Qty per Vehicle
SY150-F-1	HEXAGON FLANGE NYLON LOCK NUT COARSE THREAD	1
SY150-F-2	HEXAGON FLANGE AXLE	1
SY150-F-3	SWING ARM LINED PIPE	1
SY150-F-4	BALL BEARING	2
SY150-F-5	BALL BEARING	2
SY150-F-6	OIL SEAL	2
SY150-F-7	EXTERNAL HEXAGON BIG HEAD FLANGE BOLTS GB5789	2
SY150-F-8	FLAT PAD GB97.1-85	4
SY150-F-9	EXTERNAL HEXAGON BIG HEAD FLANGE BOLTS GB5789	2
SY150-F-10	INNER HEXAGON SOCKET HEAD SCREW	2
SY150-F-11	SPRING WASHER	4
SY150-F-12	FLAT BUSHING	1



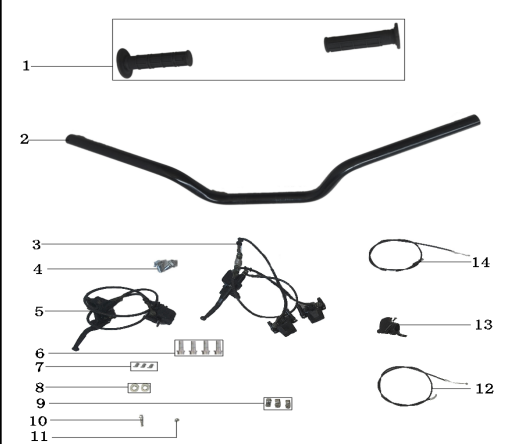
SY150-F-13	EXTERNAL HEXAGON SMALL HEAD FLANGE BOLTS	1
SY150-F-14	HEXAGON FLANGE SELF-LOCKING NUTS	1
SY150-F-15	TENSIONING WHEEL	1
SY150-F-16	FLAT PAD GB97.1-85	2
SY150-F-17	JACK/UT13	2
SY150-F-18	HEXAGON OPPOSITE SIDE NUT	6
SY150-F-19	M22 REAR BRIDGE SEAT	1
SY150-F-20	REAR BRIDGE LINED PIPE/UT13	1
SY150-F-21	M22 REAR SWING ARM/	1
SY150-F-22	REAR AXLE SLEEVE/UT13	1
SY150-F-23	BUTTER TIP	2
	BUTTER TIP CAP	2



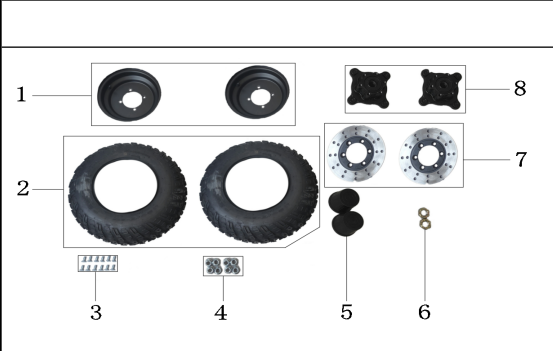
Parts No.	Description	Qty per Vehicle
SY150-G-1	SLOTTED NUT	2
SY150-G-2	SPLIT PIN GB91	2
SY150-G-3	REAR AXLE /UT13	1
SY150-G-4	REAR AXLE LOCK NUTS	1
SY150-G-5	HEXAGON FLANGE TOOTHED NUT GB6177-86	4
SY150-G-6	LOWER SPROCKET & DISC BRAKE COVER	1
SY150-G-7	EXTERNAL HEXAGON SMALL HEAD FLANGE BOLTS GB5787	4
SY150-G-8	STEEL REAR SPROCKET	1
SY150-G-9	SPROCKET FLANGE SEAT/UT13	1
SY150-G-10	REAR DISC BRAKE CANCAVE DISK/UT13	1
SY150-G-11	REAR WHEEL DISC BRAKE FLANGE SEAT/UT13	1
SY150-G-12	EXTERNAL HEXAGON SMALL HEAD FLANGE BOLTS GB5787	4
SY150-G-13	EXTERNAL HEXAGON SMALL HEAD FLANGE BOLTS GB5787	4
SY150-G-14	EXTERNAL HEXAGON BIG HEAD FLANGE BOLTS GB5789	2
SY150-G-15	UPPER CHANIN COVER/UT13	1
SY150-G-16	RUBBER FLAT PAD	2
SY150-G-17	STEEL WIRE SHIFT RING	1
SY150-G-18	CHAIN	1

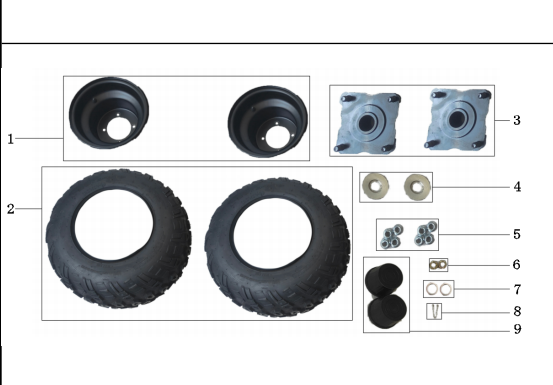



Parts No.	Description	Qty per Vehicle
SY150-H-1	REAR SHOCK ASSEMBLY/UT13	1
SY150-H-2	EXTERNAL HEXAGON SMALL HEAD FLANGE BOLTS GB5787	1
SY150-H-3	EXTERNAL HEXAGON SMALL HEAD FLANGE BOLTS GB5787	1
SY150-H-4	HEXAGON FLANGE SELF-LOCKING NUTS	6
SY150-H-5	EXTERNAL HEXAGON SMALL HEAD FLANGE BOLTS GB5787	4
SY150-H-6	FRONT FORK ASSEMBLY/UT13	2




Parts No.	Description	Qty per Vehicle
SY150-I-1	HANDLEBAR SLEEVE/UT13 HGZ	2
SY150-I-2	STEEL STEERING HANDLEBAR	1
SY150-I-3	FRONT LARGE SINGLE DISC BRAKE ASSEMBLY	1
SY150-I-4	EXTERNAL HEXAGON SMALL HEAD FLANGE BOLTS	2
SY150-I-5	REAR LARGE SINGLE DISC BRAKE ASSEMBLY	1
SY150-I-6	EXTERNAL HEXAGON SMALL HEAD FLANGE BOLTS	4
SY150-I-7	INNER HEXAGON HALF SOCKET SCREW GB70.2	3
SY150-I-8	FLAT PAD GB97.1-85	2
SY150-I-9	REAR DISC BRAKE OIL HOSE CLIP	3
SY150-I-10	EXTERNAL HEXAGON SMALL HEAD FLANGE BOLTS GB5787	1
SY150-I-11	HEXAGON FLANGE SELF-LOCKING NUTS	1
SY150-I-12	DAMPER LINE	1
SY150-I-13	SINGLE THUMBER OILER	1
SY150-I-14	THROTTLE CABLE	1

	Parts No.	Description	Qty per Vehicle
	SY150-J-1	FRONT WHEEL RIM/UT13	2
	SY150-J-2	FRONT WHEEL TIRE/UT13	2
	SY150-J-3	CROSS COUNTERSUNK HEAD MANCHINE SCREW GB819	12
	SY150-J-4	HEXAGON FLANGE SELF-LOCKING NUTS-GB6187-86	8
	SY150-J-5	DUST CAP/UT13	2
	SY150-J-6	SLOTTED NUT	2
	SY150-J-7	FRONT DISC BRAKE/UT13	2
	SY150-J-8	FRONT HUB SEAT	2

	Parts No.	Description	Qty per Vehicle
	SY150-K-1	REAR WHEEL RIM/UT13	2
	SY150-K-2	REAR WHEEL TIRE/UT13	2
	SY150-K-3	REAR HUB SEAT	2
	SY150-K-4	FLAT PAD GB97.1-85	2
	SY150-K-5	HEXAGON FLANGE SELF-LOCKING NUTS-GB6187-86	8
	SY150-K-6	SPLIT PIN,SLOTTED NUT	2
	SY150-K-7	SPRING WASHER	2
	SY150-K-8	SPLIT PIN	2
	SY150-K-9	DUST CAP/UT13	2

	Parts No.	Description	Qty per Vehicle
	SY150-L-1	SIDE REFLECTOR	2
	SY150-L-2	MAIN WIRE ASSEMBLY	1
	SY150-L-3	FUNCTION SWITCH	1
	SY150-L-4	RELAY	1
	SY150-L-5	STORAGE BATTERY	1
	SY150-L-6	GEAR DISPLAY COVER/UT13	1
	SY150-L-7	CG03-091 IGNITION COIL WATERPROOF/GOLDEN ORCHID	1
	SY150-L-8	SIDE REFLECTOR	2
	SY150-L-9	TAILLIGHT	1
	SY150-L-10	5.2.02.0150/C50 REAR REFLECTOR	1
	SY150-L-11	RECTIFIER	1
	SY150-L-12	AC21-037 IGNITER WATERPROOF/GOLDEN ORCHID	1
	SY150-L-13	GEAR DISPLAY/UT13	1
	SY150-L-14	RUBBER HARNESS BINDING	2
	SY150-L-15	ELACTRIC DOOR LOCK	1
	SY150-L-16	HEXAGON FLANGE TOOTHED NUT GB6177-86	7
	SY150-L-17	EXTERNAL HEXAGON BIG HEAD FLANGE BOLTS GB5789	2
	SY150-L-18	CROSS PAN HEAD TAPPING SCREWS GB845-85	2
	SY150-L-19	CROSS PAN HEAD TAPPING SCREWS GB845-85	2
	SY150-L-20	FRONT LIGHT LEFT	1
	SY150-L-21	FRONT LIGHT RIGHT	1
	SY150-L-22	CUSHION PAD	1
	SY150-L-23	RUBBER HARNESS BINDING	1

	Parts No.	Description	Qty per Vehicle
	SY150-M-1	LEFT PEDAL /UT13	1
	SY150-M-2	CROSS PAN HEAD SELF-TAPPING SCREWS	8
	SY150-M-3	FRONT LEFT COVER EDGE/UT13	1
	SY150-M-4	FRONT PLASTIC KIT	1
	SY150-M-5	FRONT RIGHT COVER EDGE/UT13	1
	SY150-M-6	CROSS LARGE PAN HEAD SELF-TAPPING SCREWS	8
	SY150-M-7	RIGHT PEDAL /UT13	1
	SY150-M-8	BATTERY BOX	1
	SY150-M-9	ADAPTER LIGHT BRACKET LEFT	1
	SY150-M-10	LIGHT BRRACKET	1
	SY150-M-11	ADAPTER LIGHT BRACKET RIGHT	1
	SY150-M-12	FRONT BUMPER COVER/UT13	1
	SY150-M-13	FRONT HEAD COVER/UT13	1
	SY150-M-14	REAR RIGHT COVER EDGE/UT13	1
	SY150-M-15	REAR PLASTIC KIT	1
	SY150-M-16	REAR LEFT COVER EDGE/UT13	1

